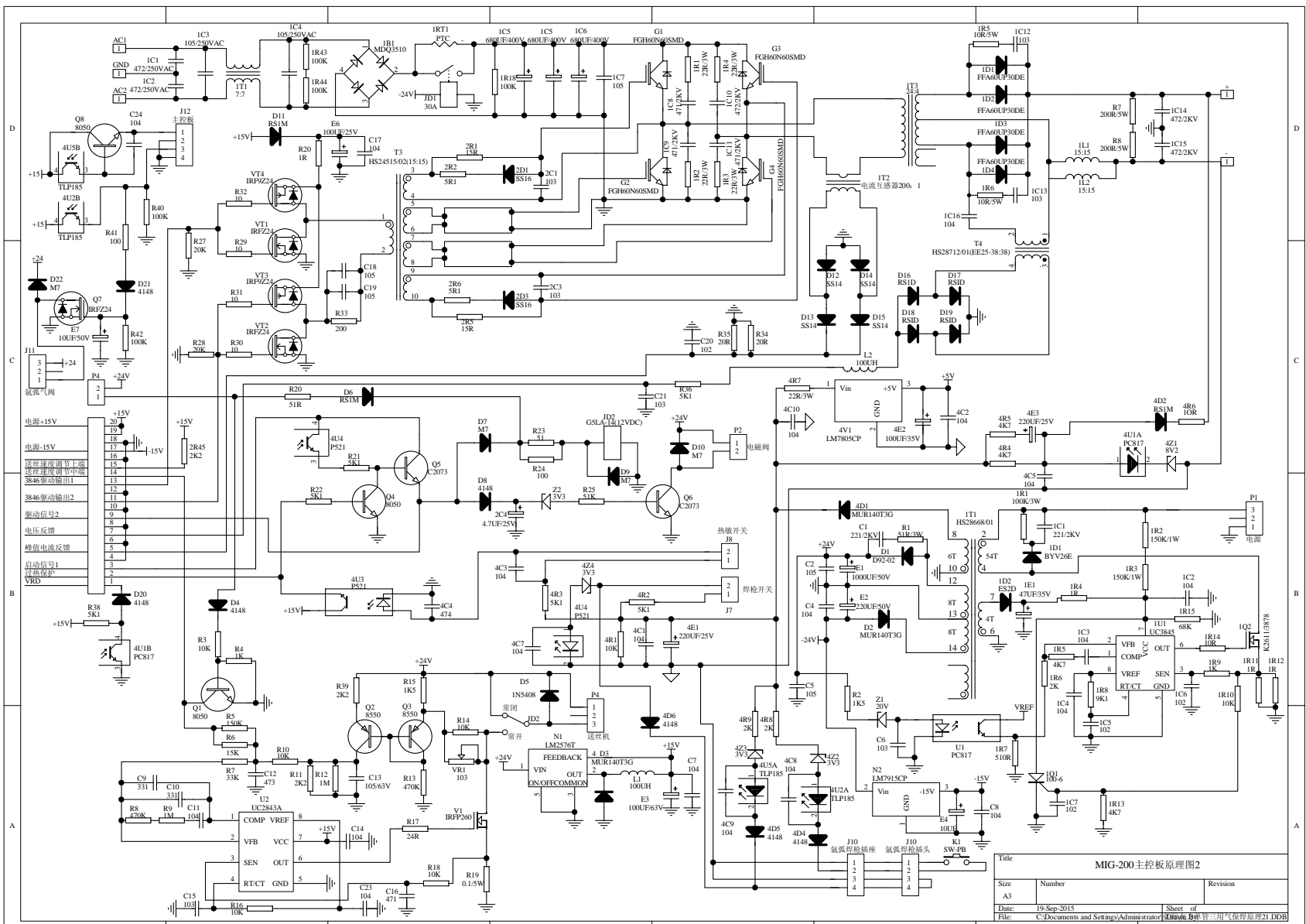


File	Size	Number	Revision
A2			
Date	2 Nov 2015	Sheet	1 of 1
File	C:\Documents and Settings\Administrator\Desktop	Sheet	1 of 1



Title: MIG-200主控板原理图2

Size	Number	Revision
A3		
Date:	19-Sep-2015	Sheet of 3
File:	C:\Documents and Settings\Administrator\桌面\Bsp管三用气保焊机21.DXD	Sheet of 3